



**MITSUBISHI
FORKLIFT TRUCKS**



GRENDIA MX

Internal Combustion Pneumatic Tyre
6.0 - 7.0 ton

MITSUBISHI FORKLIFT TRUCKS GIVES YOU MORE

Mitsubishi **GRENDIA MX** **FD60-70 N-Series Forklift Trucks**

TECHNOLOGY WITH THE POWER TO DELIVER

Available in 2 different models with capacities ranging from 6 and 7 tons, Mitsubishi heavy duty diesel counterbalance forklift trucks are built to deliver sturdy, energy efficient and remarkable performance to satisfy your application needs.

Grendia MX series forklift trucks provide high level drivers' comfort, smooth lifting and an excellent all round visibility. It is a dynamic truck that combines both revolutionary cutting edge technologies with excellent engineering back up to optimize your productivity, and empower you the strength to perform.



* Picture above is for illustration purpose only.
Please contact your local dealership for further clarification.

SAFETY FIRST

Whatever your application... from timber to metals, construction materials to dockyards, container handling to airfreight, Mitsubishi forklift trucks can deliver the muscle to handle the job.

Mitsubishi forklift trucks possess the world class standard to offer you the remarkable operating experience. Excellent lateral stability, magnificent robust structure and the ability to exercise strength to perform in any conditions are the distinctive qualities that define FD60-70 N-series forklift trucks to be probably one of the best in the logistic world.



1. INTEGRATED PRESENCE SYSTEM - "IPS"

Grendia MX is fitted with Mitsubishi IPS, an integrated active safety system designed to improve vehicle safety. It not only ensures safety during vehicle operation but also prevents errors when the operator is not seated, protecting both the operator and the workplace from potential accidents.



2. MAST AND TRAVEL INTERLOCK

Mitsubishi Grendia MX forklift trucks are equipped with mast and travel interlock protection device that is linked to the operator's seat. If the operator is not seated, the mast and (for torque-converter models) the movement of the vehicle itself, is automatically deactivated in order to prevent injury or damage to property.

- Note that brakes are not applied in travel interlocking, so trucks can still move on slopes due to gravity.



3. LIFT LOCK

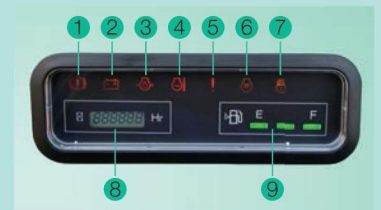
When the ignition switch is at off position, all forks movement will cease immediately even if it is at elevated position. Forks position will still remain in place despite of the control levers are accidentally bumped or moved. Thus, this lift lock function protects the operator from any potential threat which could result from human error.



4. INTEGRATED LED MONITOR

The monitor offers distinct and easy to interpret warning symbols that indicate the truck current status with bright LED lamp.

- 1.) Parking Brake Warning Lamp
- 2.) Battery Charge Warning Lamp
- 3.) Engine Oil Pressure Warning Lamp
- 4.) Water Temperature
- 5.) Multipurpose Warning Lamp
- 6.) Glow Plug Indication Lamp



- 7.) Interlock Indicator Lamp
- 8.) Hour Meter
- 9.) Fuel Gauge

5. ASBESTOS FREE DUO SERVO DRUM BRAKES

Asbestos fibers are known to be hazardous to human health. That is why our brake drums are made to be asbestos free for better health and environment. The self-adjusting brakes also ensure all time effective braking that further enhance a safer and hazardous free driving experience.

SUPREME PERFORMANCE UNDER EXTREME CONDITIONS

Mitsubishi forklift trucks are built while with an aim in mind to combine the best of both world qualities, both technology and futuristic design, to forge a supreme performance truck that possess the ultimate solution to meet your business needs.

Grendia MX series forklift trucks is capable of delivering high value, high quality components and low maintenance cost that is meant to achieve long lasting performance under extreme conditions.



Fully floating powertrain

FULLY FLOATING POWERTRAIN

The rugged chassis with planetary final drives and fully floating powertrain ensures smooth yet powerful operation. And because the entire powertrain is manufactured entirely in-house, balance and compatibility are assured. Meanwhile, continuous Mitsubishi Forklift Trucks' research and development in the field of ergonomics has resulted in driver-friendly features that enable productivity to be maintained through the longest of shifts.



Overhead guard

OVERHEAD GUARD

Overhead guard design allows for excellent forward visibility without compromising on operator's safety and comfort outdoors.



Large operating compartment

ROBUST MAST DESIGN

Maximises visibilities and safety whilst accommodating the stresses imposed by wide loads. The hardened steel mast rail is extremely strong and resists twisting and bending under loads that would cripple some forklifts.

RESPONSIVE HYDROSTATIC STEERING

Provides precise handling with minimum driver effort. Driver thus experiences better comfort and achieves better productivity. Steering wheel is equipped with steering knob to help prevent accidental steering slippage.



Suspension seat

ERGONOMIC DESIGN

Designed not only to look good, N-generation series forklift trucks' components are ergonomically designated to allow operators to work comfortably. Large operating compartment also offers plenty of overhead clearance for boarding and alighting comfort. Operator experiences minimal fatigue thus resulting in greater comfort for higher productivity.

FULLY ADJUSTABLE SUSPENSION SEAT

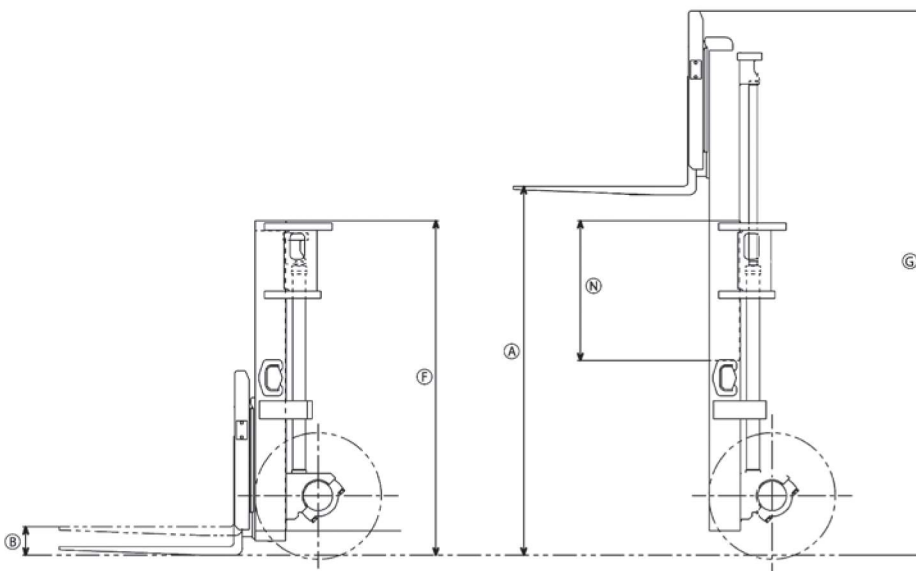
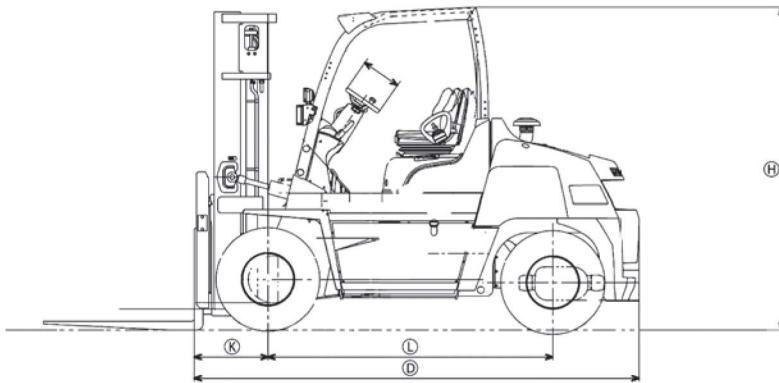
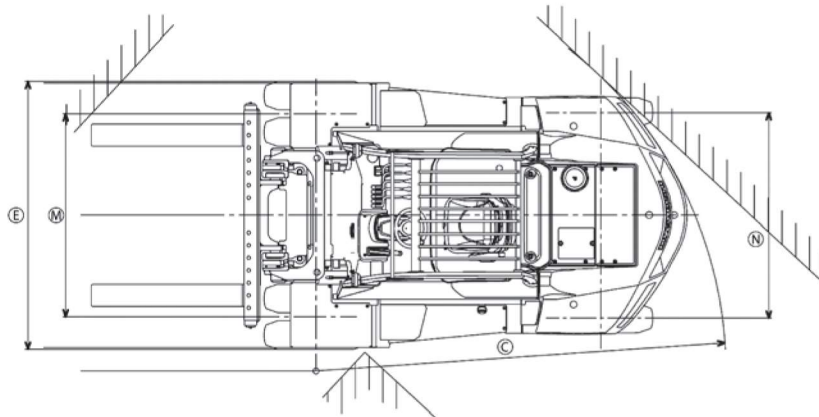
Accommodates drivers of any height and weight. Driver is also ensured a more comfortable ride down a bumpy road. Seat suspension is also adjustable according to operator's preference. Seat comes with hip restraint and seat belt to ensure operator's safety.

RELIABILITY AND SERVICEABILITY

CENTRALIZED MAINTENANCE AREA

The N-generation series forklift trucks have an engine cover that opens fully along with easy-to-remove side panels without the needs of any tools. The floor plate and radiator cover can be easily removed for even greater accessibility. The maintenance points are easy to access and they are strategically placed to allow quick inspection or maintenance. Downtime of the forklift is reduced without the need to move around.





OPTIONS

1. Rear mirror kit
2. Rubber floor mat
3. Upper Exhaust
4. Rotating Lamp
5. Choice of masts
6. Sideshift and Fork positioner
7. Air intake options
8. Hook and shaft-type carriages
9. Working lights

SPECIFICATIONS

Characteristics					
1	Type of Truck				DIESEL ENGINE TRUCK
2	Model				FD60NM FD70NM
3	Loading Capacity		kg		6000 7000
4	Load Center		mm		600
Performance					
5	Maximum Fork Height	2SP33	mm	A	3300
6	Free Fork Height		mm	B	210
7	Speeds	Lifting	Loaded	mm/s	440
			Unloaded	mm/s	470
		Lowering	Loaded	mm/s	500
			Unloaded	mm/s	450
8	Tilt	Mast	Forward	deg	6
			Backward	deg	12
9	Speeds	Traveling	Loaded	km/h	22
			Unloaded	km/h	28
10	Maximum Drawbar Pull Drawbar Pull	stationary on slope at 1.6km/h	Loaded	kN	50
			Loaded	kN	37
11	Maximum Gradeability Gradeability	stationary on slope at 1.6km/h	Loaded	%	33
			Loaded	%	24
12	Turning Radius		mm	C	3310
13	Practical Intersecting Aisle Width		mm		2930
Dimensions					
14	Overall Length to Fork Face		mm	D	3592
15	Width	with Standard Tires	mm	E	2173
16	Height	with Lowered Mast	mm	F	2720
		with Extended Mast (with backrest) to top of Overhead Guard	mm	G	4580
			mm	H	2610
17	Forks (Thickness x Width x Length)		mm		70x150x1220
18	Forks Spread (Out-to-Out Minimum / Maximum)		mm		350 - 1700
19	Front Overhang (Center of Front Axle to Fork Face)		mm	K	597
20	Wheelbase		mm	L	2300
21	Tread Width	Front, standard Tires	mm	M	1650
		Rear, Tires	mm	N	1650
22	Ground Clearance	at Lowest point mast	mm		170
		at Center of Wheelbase	mm		263
23	Tire Size	Front	mm		8.25-15-12PR(I)
		Rear	mm		8.25-15-12PR(I)
Weight					
24	Machine Weight		kg		8820 9470
Brake					
25	Service Brake Type				Hydraulic with vacuum boost
26	Parking Brake Type				Mechanical
Power Train					
27	Engine	Model			S6S
		Max. Rated Power/rpm to DIN70020	kW/rpm		67.7/2300
		Max. Rated Torque/rpm to DIN70020	Nm/rpm		290/1600
		Displacement	cc		4996
		Fuel Tank Capacity	L		130
28	Transmission	Type			Powershift
		Forward			2 speed
		Backward			2 speed
29	Relief of Pressure	For Attachments	Mpa		19.1



*Ready to Perform
To Your Applications*



www.mitforklift.com.sg

© 2014 by MCFS, All Rights Reserved. All registered trademarks are the property of their respective owners. Printed in Singapore.

FMIT0123

(02/14)

PRESENTED BY:

Note: Performance specifications may vary depending on standard manufacturing tolerances, vehicle condition, types of tyres, floor or surface conditions, applications or operating environment. Trucks may be shown with non-standard options. Specific performance requirements and locally available configurations should be discussed with your Mitsubishi forklift truck dealers. Mitsubishi Forklift Trucks follows a policy of continual product improvement. For this reason, some materials, options and specifications could change without notice.