

# CBD15-190Li

## Electric Pallet Truck

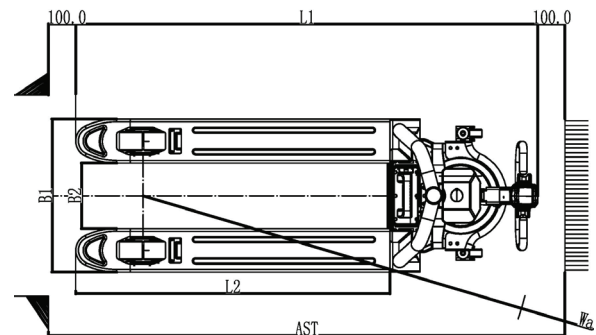
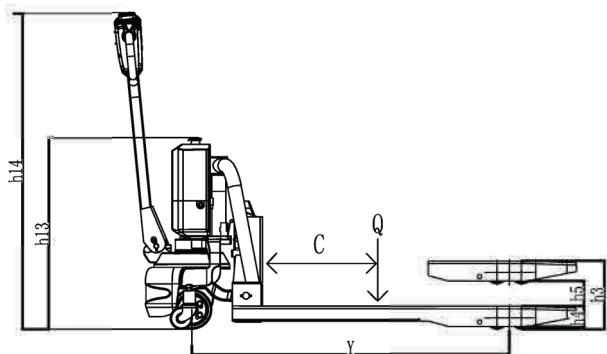
### Configuration and performance

- Vehicle--Small size, light weight, easy to operate.
- Battery--Lithium battery power, more energy-saving, more environmentally friendly.
- Motor--Permanent magnet brushless driving and lifting motor, maintenance-free, high efficiency, long service life.
- Controller--MLA Vulcan self-made driving and lifting controller, multiple protection, high reliability.
- Fork--Double-sided pallet design, three fork modes with different length satisfy different needs.
- Standard lifting limit switch, safer and more energy-saving.
- Open layout, ultra-quick replacement of driving wheels, easy maintenance.



## Manufacturer's Data and Design Characteristics

Characteristics			
1.1	Manufacturer		HELI
1.2	Model		CBD15
1.3	Configuration No.		190Li
1.4	Operating type		Walkie
1.5	Load capacity	kg	1500
1.6	Load center	c(mm)	600
1.7	Wheel base	y(mm)	1166
1.8	Service weight with battery	kg	118
1.9	Controller		HELI
Wheels			
2.1	Wheels type		PU
2.2	Wheel quantity Driving wheel/Balance wheel /Bearing wheel		1/2/4
2.3	Driving wheel size	φxw	φ 145×54
2.4	Balance wheel size	φxw	φ 84×70
2.5	Bearing wheel size	φxw	φ 80×30
Dimension			
3.1	Min.fork lowered height	mm	85
3.2	Max.fork lifting height	mm	205
3.3	Max.lifting height	mm	120
3.4	Outside width between forks	mm	560/685
3.5	Inside width between forks		240/365
3.6	Fork length	mm	900/1150/1200
3.7	Fork width	mm	160
3.8	Fork thickness	mm	73
3.9	Overall length	mm	1450/1700
3.10	Overall width	mm	560
3.11	Overall height(With handle)	mm	1160
3.12	Overall height(Without handle)	mm	700
3.13	Min.Turning radius	mm	1200/1450/1500
3.14	Min.Aisle width for pallets 800×1200	mm	1800
3.15	Min.Aisle width for pallets 1000×1200	mm	1830
Performance			
4.1	Travel speed,laden/unladen	km/h	4.5/5.0
4.2	Lift speed,laden/unladen	mm/s	25/40
4.3	Lowering speed,laden/unladen	mm/s	70/50
4.4	Gradeability,laden/unladen	%	6/10
Electrical configuration			
5.1	Drive motor	KW	AC 0.80
5.2	Lift motor	KW	AC 0.80
5.3	Battery voltage / capacity	V/Ah	72V/8Ah
5.4	Battery weight	kg	5.2
5.5	Brake		Electromagnetic / Regenerative
Others			
6.1	Noise level	dB	≤75
6.2	Steering type		mechanicalsteering
6.3	Driver controller type		AC



### MLA Holdings Pty Ltd

Sydney | Melbourne | Brisbane | Adelaide  
Perth | Gold Coast | Newcastle

#### Head Office

Address: 10 Walker Place, Wetherill Park NSW, 2164

Telephone: 1300 000 652

Email: sales@mlaholdings.com.au

Website: mlaholdings.com.au

AUTHORIZED DEALER

Catalog No.200420 Fokeli Print