

# CTD16-960/360

## Straddle Electric Stacker



### Configuration and Performance

- Electric power steering system, light and low noise.
- Two-way magnetic valve, three drop speed mode.
- AC Driving system, No carbon brush, maintenance free.
- Electromagnetic, regenerative braking system.
- Automatic lifting limit, safety, energy saving.

### Safety

- Curve automatic deceleration devices, more safe.
- Vehicle decelerates automatically at higher position.
- Stepless speed control system, safe and quiet.
- Controller with multiple automatic protection.
- Emergency reversing device/Emergency brake switch.
- High position automatic reduction device

### Option

- Lithium Battery

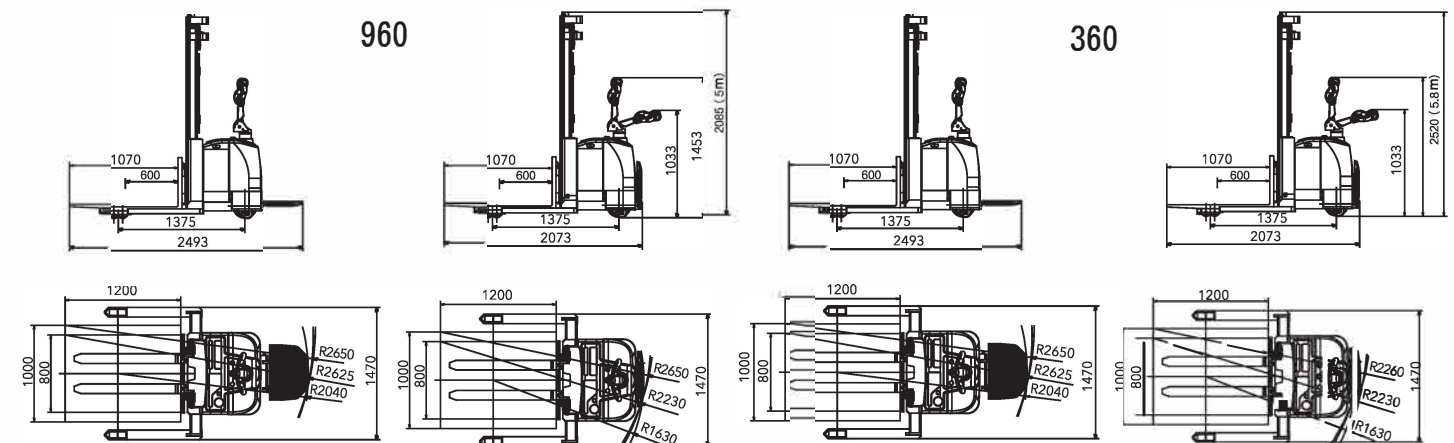
**Economical straddle typed stacker**

Steering automatic deceleration

AC|EPS    Down mode at 3speeds

Truck automatically decelerates while at higher lifting position

Feature		CTD16	CTD16
Model		960	360
Configuration No.		Straddle	Straddle
Type		Full free 3-Stage	Full free 3-Stage
Mast type		1600	1600
Load capacity	kg	600	600
Load center	mm	1375	1375
Wheel base	mm	Walkie/Stand On	
Operating type		PU	PU
<b>Wheels</b>		1/2/4	1/2/4
Wheels type		<b>Dimension</b>	
Wheel quantity/Driving wheel/ Balance wheel/Bearing wheel		3700/3900/4200/ 4500/4700/5000	5300/5500/5800
<b>Dimension</b>		55	85
Standard lift height	mm	1070/100/40	1070/100/40
Lowered fork height	mm	2073/2493	2073/2493
Fork size(length/width/thickness)	mm	1470	1470
Overall length	mm	4200/4400/4700/ 5000/5200/5500	5800/6000/6300
Overall width	mm	1800/1900/1985/ 2085/2135/2235	2520/2590/2690
Max.extend height	mm	1630/2040	1630/2040
Mast lowered height	mm	2230/2625	2230/2625
Min.Turning radius	mm	2260/2650	2260/2650
Min.Aisle width for pallets 800×1200	mm	50	30
Min.Aisle width for pallets 1000×1200	mm	<b>Performance</b>	
Min.ground clearance	mm	6/6	6/6
<b>Performance</b>		130/180	130/180
Travel speed,laden/unladen	km/h	100/200	100/200
Lift speed,laden/unladen	mm/s	6/8	6/8
Lowering speed,laden/unladen	mm/s	<b>Electrical configuration</b>	
Gradeability,laden/unladen	%	AC1.5/DC3/DC0.15	AC1.5/DC3/DC0.15
<b>Electrical configuration</b>		Electromagnetic/Regenerative	
Drive motor/Lift motor/Steering motor	kW	Lead-acid battery	Lithium battery (Optional)
Brake		24	24
<b>Weight</b>		280	280
Battery voltage	V	ZAPI	ZAPI
Battery capacity	Ah	235	99
Controller		1577	1456
Battery weight	kg	1657	1536
Service weight with battery	kg	* Details of specifications and equipment are based on information available at time of printing and may change without notice.	



Type	Lift height (mm)	Mast type	Outside width between legs (mm)	Inside width between legs (mm)
CTD16-960	3700/3900/4200/4500/4700/5000	Full Free 3-Stage	1170/1320/1470/1650	970/1120/1270/1450
CTD16-360	5300/5500/5800	Full Free 3-Stage		



**MLA Holdings Pty Ltd**

Sydney | Melbourne | Brisbane | Adelaide  
Perth | Gold Coast | Newcastle

Head Office

Address: 10 Walker Place, Wetherill Park NSW, 2164

Telephone: 1300 000 652

Email: sales@mlaholdings.com.au

Website: mlaholdings.com.au

AUTHORIZED DEALER