

### ENGINE AXLE - TRANSMISSION

- Cummins QSB EC Tier III
- Heavy duty air cleaner with safety element
- Cummins engine protection system
- ZF 3WG automatic transmission
- 3 speeds forward and reverse
- ZF transmission protection
- Kessler heavy duty planetary drive
- Oil cooled wet disc brakes
- MLA Vulcan heavy duty steer axle
- Full power hydrostatic steering
- Single steer cylinder
- Rigid drag links

### BASIC TRACTOR

- Tilt 4deg Forward, 10deg Back
- Low mount tilt cylinders
- 12.00 x 20 lug tyres
- Quick detach panel assemblies
- Gas assisted access bonnets with fail safe lock bar
- Non slip walk surfaces
- 1 x Fire Extinguisher
- Lift lugs
- Sight glasses on hydraulic tank with magnetic plugs
- Filter and suction strainers
- Basic Tractor and wheel rims Vulcan Green
- Cabin, Mast, and Carriage Charcoal grey

### ELECTRICAL SYSTEM

- 24 volt Canbus system
- 2 x 12 volt (735CCA) batteries
- Digital Display screen
- 24V/120 amp alternator
- 2 x Roof mounted forward facing led lights
- 1 x Roof mounted rear facing led light
- 2 x LED type tail and stop lights
- 4 x Turn indicators
- 1 x Safety Strobe light
- 1 x Audible reversing alarm
- 1 x Cabin internal roof light
- Electric horn
- Dash mounted emergency stop

### CAB AND CONTROLS

- Front mounted all weather cabin
- Resilient mounted cab
- Tinted safety glass
- Tilt cabin
- Lift side entry with door hold back.
- Right side emergency exit door
- Rubber floor mat with noise reduction
- Front and rear wipers and washers.
- Vinyl suspension seat with seat belt
- Adjustable steering column.
- Fingertip servo control with ergonomically mounted console
- Cabin roof light
- Electronic horn

### GENERAL

- 1 x Hard copy operators manual
- 1 x CD copy operators manual



## MLA Holdings Pty Ltd

**New South Wales/Head Office: 10 Walker Place Wetherill Park NSW 2164, Tel: (02) 9765 2000 Fax (02) 9765 1972**

**Queensland: 247 Monier Road, Darra 4076 Tel: (07) 3376 7488 Fax: (07) 3374 6308**

**Victoria: 43 Wright Road, Kellior Park 3042 Tel: (03) 9353 2100 Fax: (03) 9331 6061**

**South Australia: 585 South Rd, Regency Park SA 5010 Tel: (08) 8244 2488 Fax: (08) 8244 2499**

**Western Australia: 229 Barrington St, Bibra Lakes 6163 Tel: (08) 9434 299 Fax: (08) 9418 6308**

**Australia's most experienced Big Truck Service Operation**

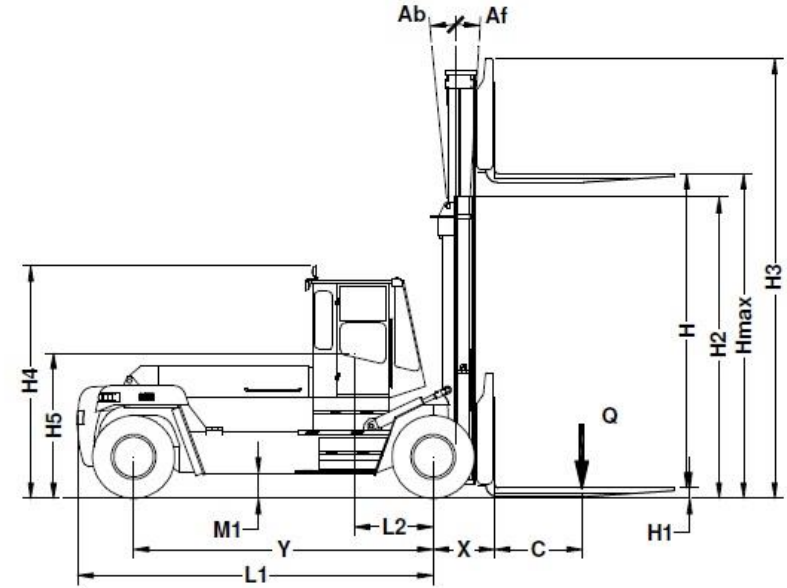
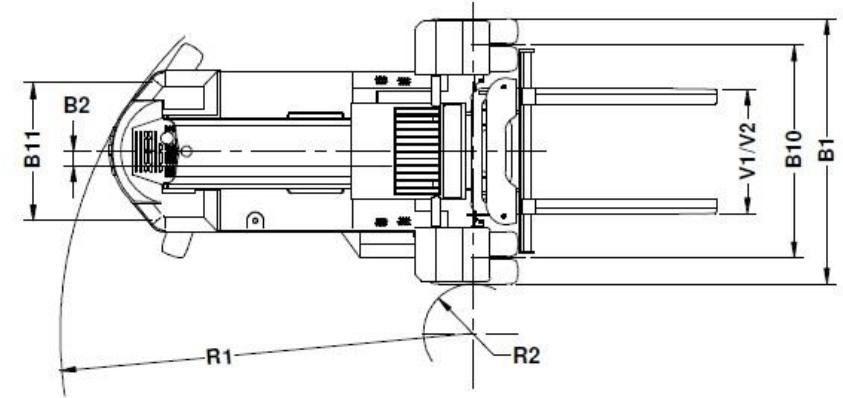
### FEATURES

- Cummins QSB electronic engine
- ZF 3WG Transmission
- ZF electronic transmission control
- Wet Disc Brakes, oil cooled
- Engine protection system
- Safety interlocks
- Fingertip servo control
- Outstanding visibility
- 24 volt electrical system canbus
- Tilt cabin
- Data monitoring system (optional)
- Air conditioning

### OPTIONS

- Air Suspension seat.
- Lift circuit accumulator
- Observers seat with seat belt
- Roof Wiper washer
- Roof Blind
- Left and right rear vision mirrors
- Battery isolator
- Fire Suppression systems
- Jump start receptacle
- Catalytic Converter
- Rotating beacon
- HID Worklights
- Additional LED Worklights
- Extra Worklights
- Digital Weight Gauge
- Spare Wheel
- Tilt options up to 15 deg
- MLA Vulcan data monitoring
- 24 volt to 12 volt converter

		MLA VULCAN HEAVY FORKLIFT TRUCK								
Specifications	1	MANUFACTURER					1			
	2	MODEL	REF	Designation	Units	12-12N	16-12N	18-9N	2	
	3	LOAD CAPACITY	Q	Rated load	kg	12 000	16 000	18 000	3	
	4	LOAD RATING	C	distance	mm	1200	1200	900	4	
Dimensions	5	OPERATOR TYPE		Stand on / driver seated		Seated			5	
	6	UPRIGHT	H	Std lift height	mm	3658			6	
	7	FORK		Thickness x width x length	mm	100X200X2440			7	
	8	TILT OF UPRIGHT		Forward / Backward	deg	4/10			8	
	OVERALL DIMENSIONS	9	L1 + x		Fork face to rearmost point	mm	5249	5187	5769	9
		10	B1		Width	mm	2580			10
		11	H2		Overall height (lowered)	mm	4112			11
		12	H3		Overall height (raised)	mm	5941			12
		13	H4		Cabin height	mm	2830	3650		13
	14	H5		Seat height	mm	1680		1940	14	
	15	TURNING RADIUS	R1		Empty / Laden	mm	4940/5440	5650/6150		15
	16	LOAD CENTRE	X		Drive axle to fork face	mm	880		16	
	17	90° STACKING AISLE	A1		For containers unladen / laden	mm	8250/8750	7240/7540		17
	Performance	18	SPEEDS		Travel - laden/unladen	km/h	25			18
		19			Lifting - laden/unladen	m/s	03.7/0.44			19
		20			Lowering - laden/unladen	m/s	0.5/0.5			20
		21	MAX. DRAWBAR PULL		Laden	kN	98.6			21
22	GRADEABILITY 1.6KM/H		Laden	%	30			22		
23	MAX. GRADEABILITY		Laden	%	34			23		
Weight	24	SERVICE WEIGHT		Including battery (line 45)	kg	21 735	24560		24	
	25	AXLE LOADING		Laden (front/rear)	kg	30500/3236	36820/2800	37600/3090	25	
			26		Unladen (front/rear)	kg	11743/10262	12590/11970		26
Chassis	27	TYRE TYPE		P=Pneumatic C=Cushioned	Front/rear	P/P			27	
	28	WHEELS		Number of wheels	Front/rear	4/2			28	
	29	TYRES		Size	Front	1200x20			29	
			30		Size	Rear	1200x20		30	
	31	WHEELBASE	Y		mm	3454	4000		31	
	32	TREAD		Centre lines tyres front/rear	mm	1870/1912			32	
	33	GROUND CLEARANCE	M1		Laden - minimum	mm	250			33
			M2		Laden - middle of W'base	mm	315			34
	35	SERVICE BRAKE		Type - Brake wheels		Wet Disc Brakes - Driven Wheels			35	
	36	PARKING BRAKE		Type - Brake wheels		Spring applied, Hydraulic released			36	
Driveline	37	BATTERY		Volts/ampere Hrs (max capacity)	V / Ah / CCA	24/90/730			37	
	38	FUEL TANK		Capacity	L	230	380		38	
	39	HYDRAULIC TANK		Capacity	L	230	330		39	
	40	I.C. ENGINE			Manufacturer - Cummins	type	QSB4.5-160	QSB6.7-160		40
			41		Rated output SAE J1349	kW	119			41
			42		Rated speed SAE J1349	RPM	2500			42
	43			No. Of cylinders/displacement	cm <sup>3</sup>	6/6700			43	
44			Max Torque	Nm/RPM	4/4500	622/1500		44		
45	TRANSMISSION		DANA Clark	Speeds	ZF 3WG161			45		
Misc.	46	OPERATION PRESSURE		For attachments (adjustable)	Bar	205			46	
	47	SOUND LEVEL		Average at driver's ear*	dB(A)	80			47	
	48	*AS3713-1985							48	



Due to a policy of ongoing improvement, all specifications are subject to change without notice.