

Kalmar DRT450
Lifting data

	DRT450
Lifting capacity at load centre L4, rated – at max. lifting height (kg)	45000 – 42000
Lifting capacity at load centre L5, rated – at max. lifting height (kg)	31000 – 31000
Lifting speed, unloaded – at 70% of rated load (m/s)	0,42 – 0,25
Lowering speed, unloaded – at rated load (m/s)	0,36 – 0,36

Driving data

Travelling speed forward, unloaded – at rated load (km/h)	25 – 21
Travelling speed backward, unloaded – at rated load (km/h)	25 – 21
Gradeability at 2 km/h, unloaded – at rated load (%)	38 – 22
Max. gradeability, unloaded – at rated load (%)	40 – 28
Drawbar pull, max (kN)	317
Stability according to EN 1459	

Weight of truck

Service weight (kg)	69500
Axle load front at load centre L4, unloaded – at rated load (kg)	34700 – 99900
Axle load front at load centre L5, unloaded – at rated load (kg)	38900 – 93000
Axle load front at driving position according to EN 1459 and rated load (kg)	88500
Axle load rear at load centre L4, unloaded – at rated load (kg)	34800 – 14600
Axle load rear at load centre L5, unloaded – at rated load (kg)	30600 – 7500
Axle load rear at driving position according to EN 1459 and rated load (kg)	26000

Engine

Manufacturer – type designation	Cummins QSM11
Fuel – type of engine	Diesel – 4 stroke
Number of cylinders – compression (cm ³)	6 – 16.3:1
Power according to ISO 3046 – at revs (kW/rpm)	224 – 2000
Torque according to ISO 3046 – at revs (Nm/rpm)	1575 – 1400
Alternator, type – power (W)	AC – 2400
Starting battery, voltage – capacity (V – Ah)	2×12 – 140
Fuel consumption, normal driving (l/h)	18

Transmission

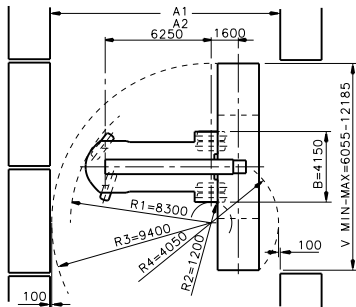
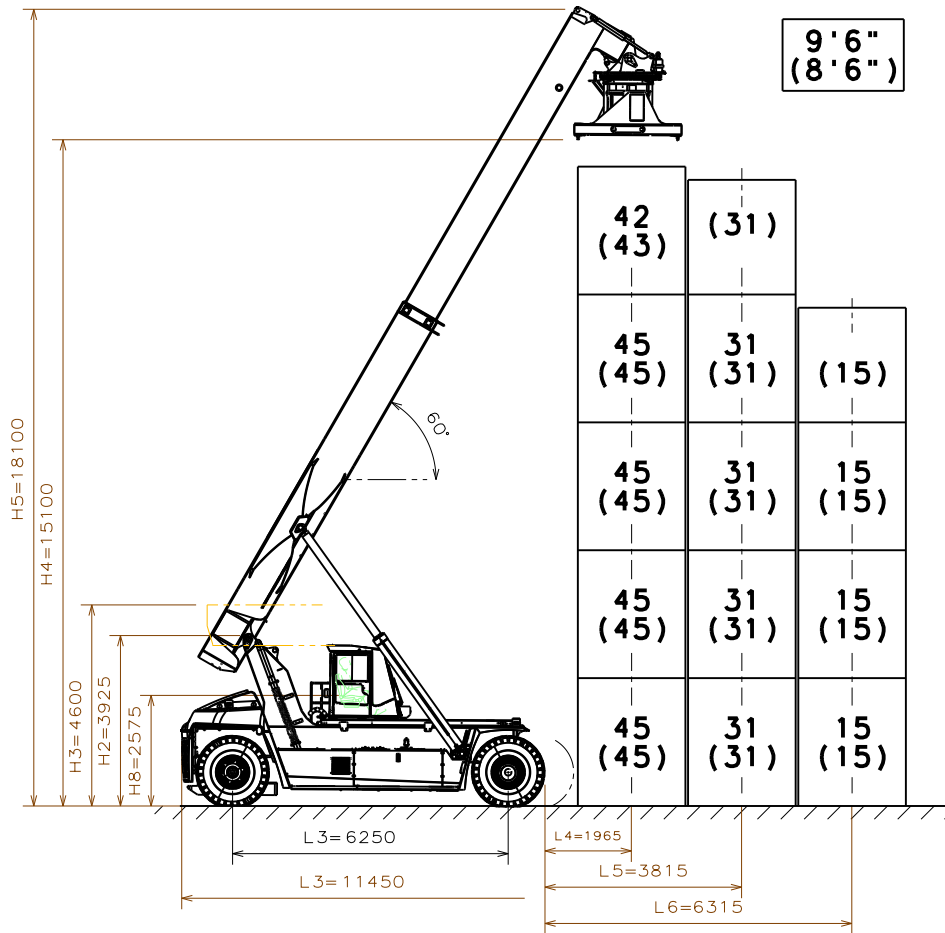
Manufacturer – type designation	Dana – 15.5HR36000
Clutch, type	Torque converter
Gearbox, type	Powershift
Number of gears, forward – reverse	4 – 4
Driving axle, type	Differential and hub reduction

Wheels

Type	Pneumatic
Dimension, front – rear (inch)	18.00×25 – 18.00×25, PR40 E4
Number of wheels, front – rear (*driven)	4* – 2
Pressure (MPa)	1,0

Miscellaneous

Steering system, type – maneuvering	Servo assisted – Steering wheel
Service brake system, type – affected wheels	Wet disc brakes – Drive wheel
Parking brake system, type – affected wheels	Spring brake – Drive wheel
Max. hydraulic pressure (MPa)	21,0
Noise level according to TW 12053, cabin (db(A))	–
Noise level according to 2000/14/EC, outside (db(A))	–
Fuel volume (l)	550
Hydraulic oil volume (l)	600
Overload protection	Electronic



Dimensions

		DRT450
Beam angle, max (°)	α	60
Attachment rotation, CW – CCW (°)	β	195 – 105
Min. aisle width for 90° stacking with 20' containers (mm)	A1	11400
Min. aisle width for 90° stacking with 40' containers (mm)	A2	13600
Sideshift \pm (mm)	V1	± 800
Track (c-c), front – rear (mm)	S	3030 – 2600
Ground clearance, min. (mm)		250

The design and materials specification are subject to alternation without prior notice.
Tolerances according to K-standard 95430.0008/0

